



LOEGERING

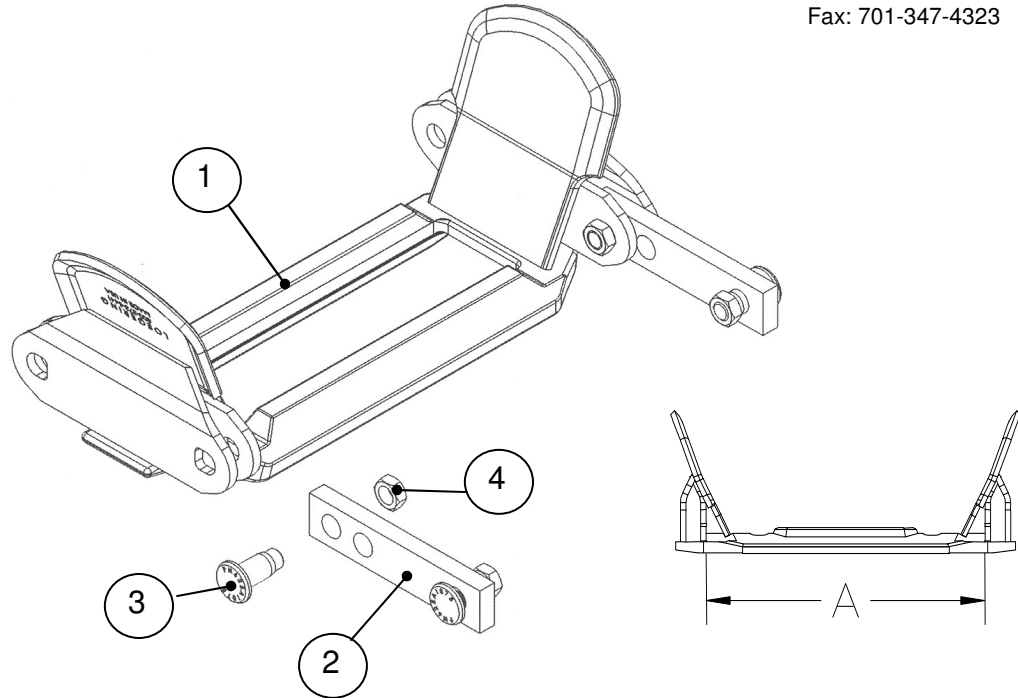
OWNER'S MANUAL

Z SERIES TRACKS

Rev. 355_05

LOEGERING
15514 37th Street SE
Casselton, ND 58012 USA
E-Mail: lmi@loegering.com

800-373-5441
701-347-5441
Fax: 701-347-4323
Internet: www.loegering.com



Z SERIES PARTS LIST

Ref.	Part Number	Weight (LB/KG)	Description
1	600118	17/7.7	Pad Weldment, 11.125", Standard Link Style
1	600120	19/8.6	Pad Weldment, 12.5", Standard Link Style
1	600122	20/9.0	Pad Weldment, 13.25", Standard Link Style
1	600124	21/9.5	Pad Weldment, 13.75", Heavy Duty Link Style
1	600125	24/10.9	Pad Weldment, 15.5", Heavy Duty Link Style
2	FN425	.6/.3	Link, 3 Hole, Standard 1/2"
2	FN424	.8/.4	Link, 3 Hole, Heavy 5/8"
3	400660	.13/.06	Dura Pin, Standard Link Style
3	PN625A1160	.14/.06	Dura Pin, Heavy Link Style
4	PH0171-5CP	.02/.01	Jam Nut, 1/2" NF Gr. 8

Note: These track series use Installation Tool P/N S014

A = Pad width: distance between the two inner link plates.



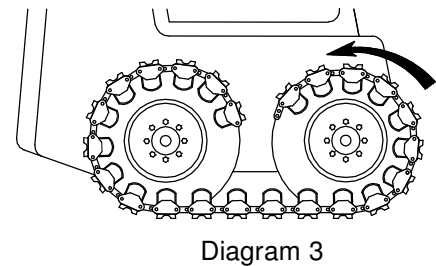
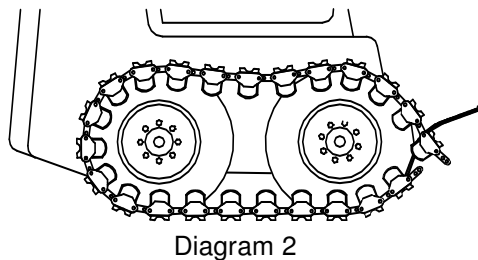
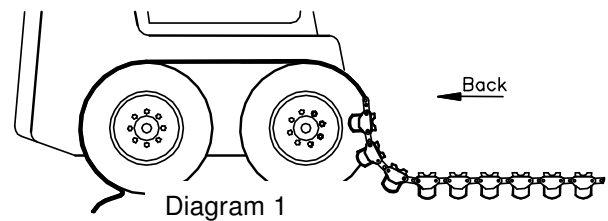
Loeering
15514 37th Street SE
Casselton, ND 58012 USA
Ph: 800-373-5441
Fax: 701-347-4323

INSTALLING “Z” SERIES TRACKS

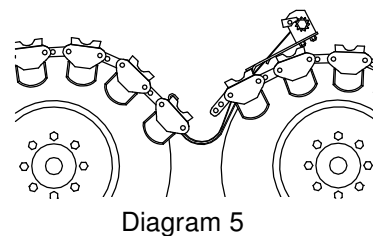
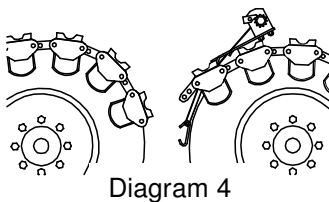
NOTE: Any modifications (welding, cutting, etc.) to machine, tracks, or track accessories without proper authorization will void warranty. See Limited Warranty for further details. Z series track are not recommended for use on solid rubber, foam-filled, segmented, aircraft, and some styles of tires (call Loeering.).

Every track includes an installation tool (P/N S014).

1. Install idler system or axle assembly for your specific model of equipment.
2. Inflate tires to recommended air pressure - check pressure regularly.
3. Unroll track on a level surface and divide into two equal sections. Tip one track over so side plates are in contact with the ground. Fold first 3 or 4 pads back and drive machine forward until one front tire is positioned between track side plates and just touches pad bottom. Lay pads back onto tire and attach a rope or chain on end pad. Run rope or chain over front and back tires and tuck it under back tire (Diagram 1).



4. While an assistant observes, slowly back machine until track is pulled over, around, and under the tandem wheels. Stop when last pad lifts off ground and is starting to get pulled up front tire. (Diagram 2).
5. Chain or tie ends of track together with installation tool. Continue backing machine until ends of track are between wheels (Diagram 3). Remove chain or rope.
6. Position install tool as shown in diagrams 4 and 5.

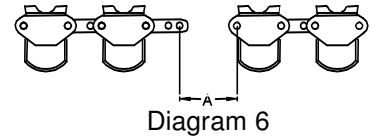


7. Tighten track using a wrench or breaker bar/socket arrangement no longer than 18 inches.

CAUTION: Use of a tool or cheater bar longer than 18" may result in personal injury or death and will void installation tool warranty.

It may be necessary to slowly rock machine back and forth while occasionally stopping to tighten track. This will help take up excess slack in the track.

If track appears to be too short: Measure distance "A" at track ends (Diagram 6). Round to next whole number (i.e. 3¼" rounds to 4"). This is the number of link locations to extend; track will be lengthened the same number of inches.



NOTE: If multiple links need to be lengthened, it is best to drive out of track and make adjustments on the ground. Torque *Dura Pins* nuts to 80 ft-lbs. ± 5 ft-lbs.

If rounded number is greater than the total number of links in the short position, an additional pad is required. Contact your local dealer or Loegering.

If track appears to be too long: Shorten the track by changing links in the long position to the short position. If all the links are in the short position, remove one pad and continue with procedure for short track (Diagram 6).

To remove a pad section (one pad and two adjoining links): Remove four *Dura Pin* assemblies. For an extremely worn track, it may be necessary to pull adjoining pads together to remove pin. Remove the pad and two adjoining links. Reposition loose track and reinstall two *Dura Pin* assemblies. Torque *Dura Pin* nuts to 80ft-lbs ± 5 ft-lbs. Save remaining parts for later use.

8. To connect ends of track, install *Dura Pins* in links. Torque nuts to 80 ft-lbs. ± 5 ft-lbs.

9. Remove installation tool and slowly drive machine back and forth allowing track to pass through at least two complete revolutions. **Verify that track is not striking machine.** A properly adjusted track must have one to three inches of sag (Diagram 7).

10. Unroll second track and change links to match those of the first track installed.

11. Repeat instructions 3 through 10 for track not yet installed.
12. Return machine to its normal operating configuration.

1" to 3" sag

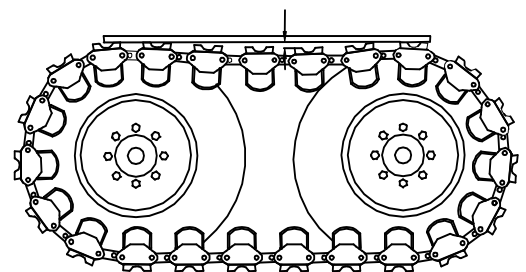


Diagram 7

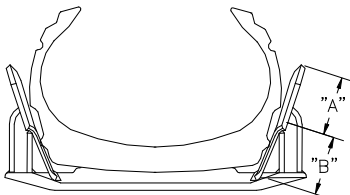


Diagram 8

13. **CHECK TRACK-TO-TIRE FIT:** With tires inflated to maximum recommended air pressure, load machine to normal operating weight. Shut off machine and check track fit (Diagram 8). Area A must not compress tire side wall. Area B may compress corners of tread without any problem. Clearance at both points is acceptable, unless track is able to wander far enough to strike machine.

NOTE: Track will require one or more length adjustments during break-in period (dependant upon operator usage).

See "REMOVING "Z" SERIES TRACKS" for specific removal instructions.

REMOVING “Z” SERIES TRACKS

1. **TO AVOID DEATH:** Raise and block boom according to machine manufacturer’s instructions, allowing safe access to front of machine. Turn off machine when its operation is not necessary for track removal process.
2. Using a ¾” wrench or socket set, loosen two nuts on two opposing Dura-pins.

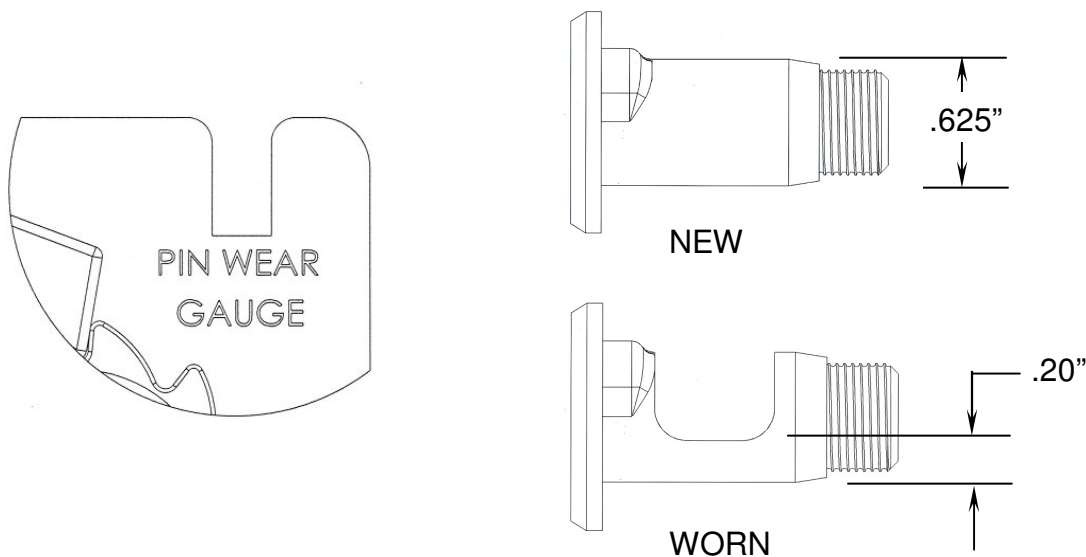
NOTE: For machines with limited clearance, drive forward so nuts can be loosened easily from the front (do not remove the nuts yet). Drive back again to center Dura-pins on top between tires.
3. Feed hook end of installation tool down between pads ahead of loosened Dura-pins, position winch assembly on pad. Position hook on opposing pad. See Diagram 5 of “INSTALLING Z SERIESTRACKS”.
4. Using a 1 1/8” wrench or breaker bar/socket arrangement not longer than 18”, operate the installation tool until tension is relieved and adjuster link assembly moves freely.

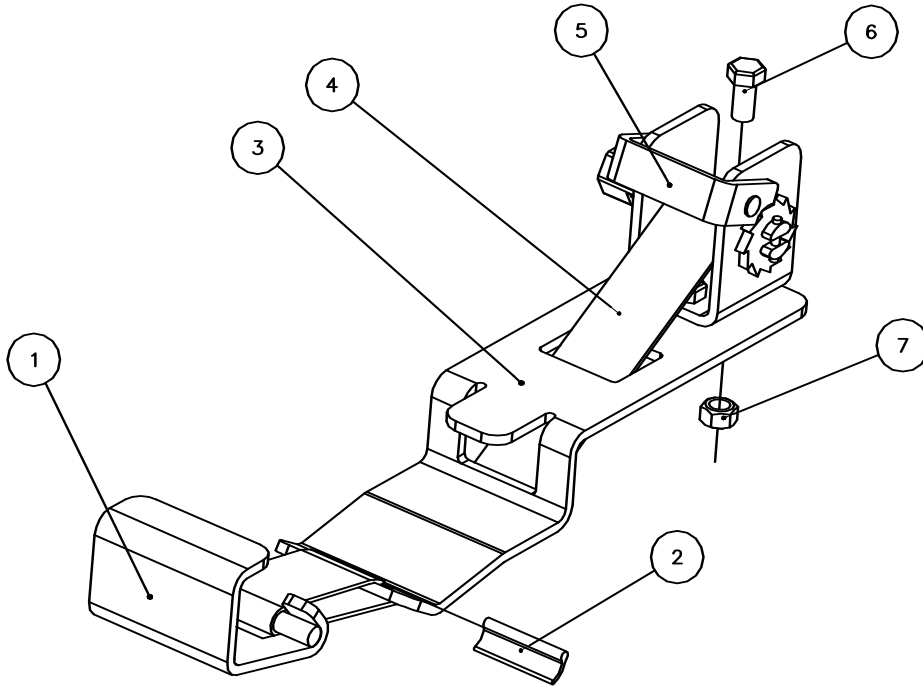
CAUTION: Use of a tool or cheater bar longer than 18” may result in personal injury or death and will void installation tool warranty.

6. Remove the two Dura-pins and nuts. Carefully loosen installation tool until track ends lay on tires. Remove installation tool.
7. While an assistant observes from a safe distance, drive machine forward until track can be removed from front tire. Do not allow end of track between tires to go under rear tire. Carefully lower track off the front tire. CAUTION: To avoid injury, do not stand in front of track as it is lowered.
8. Slowly back machine off the track. Repeat procedure for other side.
9. Return machine to normal operating configuration. NOTE: Accessories (wheel spacers, boom stop, etc.) may remain on machine.

PIN WEAR GAUGE

To determine if the track requires new pins remove a pin and slide the worn area into the gauge located on the winch portion of the installation tool. If the pin slides into the gauge it is time to replace the pins. Contact your dealer for replacement parts.





Z SERIES INSTALLATION TOOL PARTS LIST

ITEM	QTY.	PART NUMBER	DESCRIPTION
-	-	S014	Installation Tool, Z Series
1	1	S012	Hook
2	1	YN607	Wedge
3	1	S017	Base Plate
4	1	YN502	Webbing, 2" x 60"
5	1	YN501	Winch, 2"
6	2	PH0170-1BP	Nut, 1/2"-13UNC Gr. 5, Plated
7	2	PD0170-1BP	Bolt, 1/2" -13UNC x 1" Gr. 5, Plated

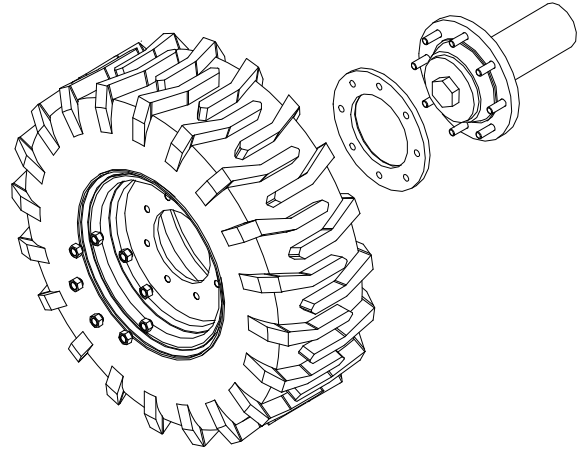
WHEEL SPACER INSTALLATION

INSTALLING SPACERS WITHOUT STUDS

1. Remove wheels and thoroughly clean the hub flange surface of all foreign materials including dirt, grease, loose paint, etc. Failure to remove all foreign material will cause the spacers to become loose resulting in damage to the spacer and/or studs.
2. Inspect spacers for any excessive paint or foreign material prior to installation.
3. Install spacers. Spacer should fit easily on wheel hub - if there is any interference, contact Loegering before reinstalling wheels.
4. Reinstall wheels and torque nuts to the manufacturer's recommended specification.

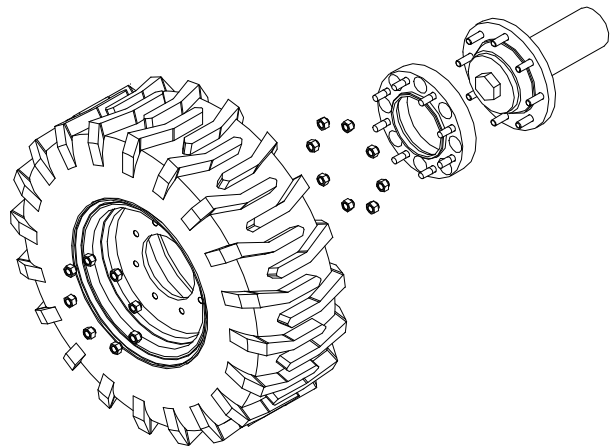
NOTE: If reach nuts are supplied with the spacers, use them in lieu of the nuts removed from the machine. Save the nuts removed from the machine so that the wheels may be reinstalled when the spacers are removed.

5. Failure to follow these instructions will void the warranty on the spacers.



INSTALLING SPACERS WITH STUDS

1. Remove wheels and thoroughly clean the hub flange surface of all foreign materials including dirt, grease, loose paint, etc. Failure to remove all foreign material will cause the spacers to become loose which will result in damage to the spacer and/or studs.
2. Inspect spacers for any excessive paint or foreign material prior to installation.
3. Install spacers. Spacer should fit easily on wheel hub - if there is any interference, contact Loegering before tightening nuts.
4. Tighten nuts evenly to allow spacer ring to center itself on tapered nuts. Torque $\frac{1}{2}$ " nuts 85 to 95 ft-lbs., $\frac{9}{16}$ " nuts 110 to 130 ft-lbs., and $\frac{5}{8}$ " nuts 165 to 185 ft-lbs.
5. Reinstall wheels and torque nuts to the manufacturer's recommended specification.
6. Failure to follow these instructions will void the warranty on the spacers.



GUSSET GUARD INSTALLATION INSTRUCTIONS

MELROE 7753 and 773

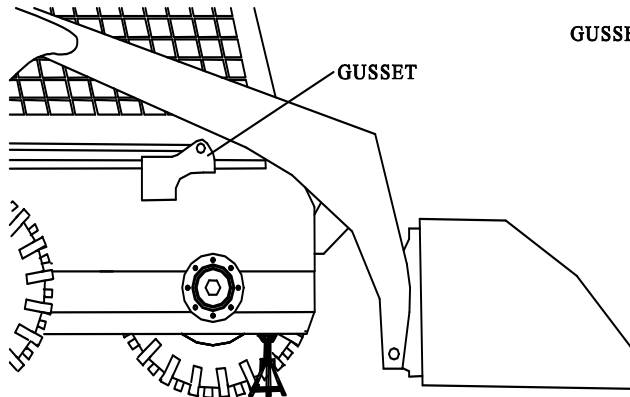


Figure 1

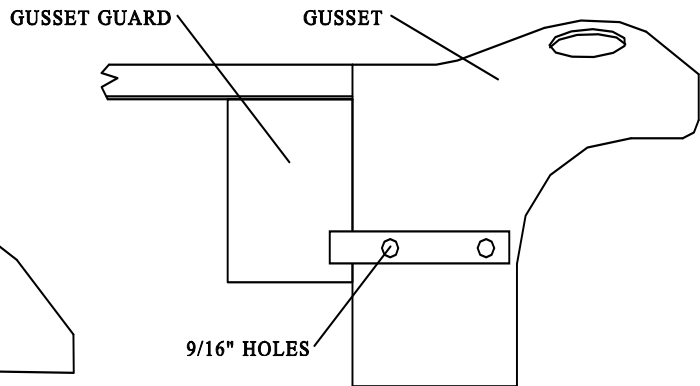


Figure 2

Qty.	Part Number	Description
-	LN811	Gusset Guard Assembly
1	LM812	Gusset Guard, Left
1	LM811	Gusset Guard, Right
2	PD0170-1.5BP	1/2"-13UNC x 1 1/2" Bolt
2	PH0170-1BP	1/2"-13UNC Nut
2	PJ0170-3.2BP	1/2" Lock Washer

Step 1. Raise machine, block, and remove right front wheel per machine manufacturer's instruction.

WARNING: Failure to use adequate blocking or jack stands could result in injury or death.

NOTE: Wheel spacers, if required, should be installed at this time.

Step 2. Position right gusset guard on right gusset such that it is against the gusset and fender as shown in Figure 2.

Step 3. Using a C-clamp or locking pliers clamp the gusset guard firmly in place.

Step 4. Mark the location of the holes.

Step 5. Remove the clamp(s) and gusset guard.

Step 6. Drill two 9/16" diameter holes. (Holes are 3 1/2" on center)

Step 7. Reposition gusset guard. Insert bolts so that the nuts will be inside the gusset. Install lock washers and nuts (supplied). Torque to 70 to 80 ft-lbs.

Step 8. Replace wheel and repeat process for the left side of the machine.



LoeGERING Manufacturing Inc.

STANDARD LIMITED NEW PRODUCT WARRANTY

LoeGERING Manufacturing Inc., hereafter referred to as LoeGERING, warrants the new Products manufactured or sold by it, to be free, under normal use and service, of any defects in manufacture or materials for twelve (12) months in the case of its attachments, 12 months or 1000 hours, whichever comes first, on a prorated basis, in the case of its tracks, or 90 days, in the case of refurbished attachments from (a) delivery to, and placement into service by the first user (including as a demonstrator or rental unit) or (b) delivery to the first retail purchaser, whichever occurs first; provided that LoeGERING receives written notice of the defect within thirty (30) days of its discovery and Buyer establishes that (i) the equipment has been maintained and operated within the limits of rated and normal usage; and (ii) the defect did not result in any manner from the intentional or negligent action or inaction by Buyer, its agents or employees. Buyer must, at Buyer's expense, return the defective equipment and parts to the authorized LoeGERING Dealer from whom the equipment and/or parts were purchased, and if Buyer cannot establish that conditions (i) and (ii) above have been met, then this warranty shall not cover the alleged defect. The term "Products" shall include only the following equipment manufactured by LoeGERING:

VTS

Steel Track

Eliminator

Mud Bucket

No claim under the Warranty will be reimbursed without proper Warranty registration documentation on file.

The obligation and liability of LoeGERING under this warranty is expressly limited to, at LoeGERING's sole option, repairing or replacing with, or in the case of its tracks providing a prorated allowance for, new or remanufactured parts or components, any part, which appears, upon inspection by LoeGERING, to have been defective in manufacture or materials. Such parts shall be provided at no cost to the owner, from the Dealer from which the parts were purchased. This warranty shall be null and void if parts (including wear parts) other than genuine OEM LoeGERING parts are used in the equipment or repairs or replacements are performed by a party other than the authorized Dealer. No warranty shall cover any item on which serial numbers have been altered, defaced or removed.

Accessories, attachments, assemblies and components included in the equipment sold by LoeGERING, which are not manufactured by LoeGERING, are subject to the warranty of their respective manufacturers. Normal maintenance, adjustments, or maintenance/wear parts are not covered by this warranty and are the sole maintenance responsibility of Buyer.

No employee or representative is authorized to modify this warranty unless such modification is made in writing and signed by an authorized officer of LoeGERING sought to be bound by such modification. The obligations of LoeGERING under this warranty shall not include duty, taxes, environmental fees, including without limitation disposal or handling of rubber tracks, or any other charges whatsoever, or any liability for indirect, incidental, or consequential damages. Improper maintenance, improper use, abuse, improper storage, operation beyond rated capacity, operation after discovery of defective or worn parts, or alteration or repair of the equipment by persons not authorized by LoeGERING which sold such equipment shall render this warranty null and void.

LoeGERING reserves the right to inspect the installation of its Products and review maintenance procedures to determine if the failure was due to improper maintenance, improper use, abuse, improper storage, operation beyond rated capacity, operation after discovery of defective or worn parts, or alteration, modification or repair of the equipment by persons not authorized by LoeGERING. LoeGERING reserves the right to make improvements or changes to its Products without incurring any obligation to make such changes or modifications to Products previously sold.

Parts Warranty: LoeGERING warrants its Dealer-install OEM replacement parts to be free of defect in manufacture or materials for a period of ninety (90) days from date of end user purchase. Parts fitted by the authorized Dealer during an equipment warranty repair will take on the remaining equipment warranty. LoeGERING warrants its Dealer-installed OEM replacement tracks to be free of defect in manufacture or materials for a period of one (1) year from the date of end user purchase. Reimbursement for any replacement tracks which are subject to this warranty shall be prorated on a monthly basis, from the date of purchase.

TRANSFERABILITY OF WARRANTY: The unexpired portion of this warranty may be transferred, provided that (i) the warranty has not been voided or breached by the transfer or prior to transfer, (ii) LoeGERING has received warranty registration for the relevant Product and (iii) the transferee completes and returns to the LoeGERING the appropriate warranty transfer documentation which shall be provided on request. Contact your local Dealer for additional details.

DURATION OF WARRANTY: LoeGERING's product warranties will activate two (2) years from the date of invoice regardless of use, and will expire three (3) years from the date of invoice regardless of hours of use.

THIS WARRANTY IS EXPRESSLY IN LIEU OF AND EXCLUDES ALL OTHER WARRANTIES, EXPRESS OR IMPLIED (INCLUDING THE WARRANTIES OF MERCHANTABILITY AND FITNESS FOR A PARTICULAR PURPOSE) AND ALL OTHER OBLIGATIONS OR LIABILITY ON THE PART OF LOEGERING. THERE ARE NO WARRANTIES THAT EXTEND BEYOND THE LIMITED WARRANTY CONTAINED HEREIN.

ITEMS NOT COVERED BY THIS WARRANTY

The following items are **NOT** covered under this Warranty (the following list is not exhaustive):

- 1. Non-Distributor Sales:** Items sold by any individual, corporation, partnership, auction entity or any other organization or legal entity that is not an authorized Dealer.
- 2. Non-LoeGERING Components:** Components which are not manufactured by LoeGERING are not covered by this warranty. Such components are covered only by the warranty that is provided by their manufacturer. Such components include, but are not limited to, attachments, track, rolling components. LoeGERING does not warrant that any attachments or other products not manufactured by LoeGERING will function properly or will not cause damage when used on its Product.
- 3. Replacement of assemblies:** LoeGERING has the option to repair or replace any defective part or assembly. It is the policy of LoeGERING to refuse claims for the replacement of a complete assembly that is field repairable by the replacement or repair of defective part(s) within the assembly.
- 4. Normal Operational Maintenance Services and Wear Parts:** Maintenance services and wear parts are excluded from warranty claims. Maintenance services not covered include, but are not limited to, such items as: lubrication, cleaning, equipment inspection or adjustment, or the replacement of any service items made in connection with normal maintenance services.
- 5. Transportation:** Any damage caused by carrier handling is a transportation claim and should be filed immediately with the respective carrier.
- 6. Deterioration:** Repairs, work required or parts exposed as the result of age, storage, weathering, lack of use, demonstration use, or for transportation of corrosive chemicals.
- 7. Secondary Failures:** Should the Buyer continue to operate a machine after it has been noted that a failure has occurred, LoeGERING will not be responsible under the warranty for resultant damage to other parts due to that continued operation.
- 8. Workmanship of Others:** LoeGERING does not accept responsibility for improper installation or labor costs.
- 9. Stop and Go Warranty:** LoeGERING does not recognize "Stop and Go" warranties; after the period of warranty commences, it shall not be tolled for any reason. No action by either party shall operate to extend or revive this limited warranty without the prior written consent of Seller.
- 10. Incidental or Consequential Damage:** LOEGERING SHALL NOT BE LIABLE FOR ANY INCIDENTAL OR CONSEQUENTIAL DAMAGES OF ANY KIND, INCLUDING, BUT NOT LIMITED TO, LOST PROFITS, LOSS OF PRODUCTION, INCREASED OVERHEAD, LOSS OF BUSINESS OPPORTUNITY, DELAYS IN PRODUCTION, COSTS OF REPLACEMENT COMPONENTS AND INCREASED COSTS OF OPERATION THAT MAY ARISE FROM THE BREACH OF THIS WARRANTY, WHETHER OR NOT CAUSED DIRECTLY OR INDIRECTLY BY ANY NEGLIGENCE OF LOEGERING. Customer's sole remedy shall be limited to (at the sole option of LoeGERING) repair or replacement of the defective part.
- 11. Diagnostic Labor:** LoeGERING shall not be responsible for diagnostic labor, travel mileage, travel labor or related travel expenses (such as meals and lodging); overtime or premium labor rates.
- 12. Customer Responsibilities:** LoeGERING shall not be responsible for loaner machines, rental, downtime, transportation or inconvenience costs directly or indirectly resulting from the failure of its Products or parts.

LoeGERING neither assumes nor authorizes any other person to assume for LoeGERING any other liability in connection with the sale of any LoeGERING equipment. This warranty shall not apply to any LoeGERING equipment or any part thereof which has been subject to misuse, alteration, abuse, negligence, accident, acts of God or sabotage. No action by any party shall operate to extend or revive this limited warranty without the prior written consent of LoeGERING sought to be bound by such extension or revivification. The aggregate liability of LoeGERING shall in no event exceed the purchase price of the equipment.

IN THE EVENT OF ANY BREACH OF THIS WARRANTY BY LOEGERING, THE AGGREGATE LIABILITY OF LOEGERING, SHALL BE LIMITED EXCLUSIVELY TO THE REMEDIES (AT THE SOLE OPTION OF LOEGERING) OF REPAIR OR REPLACEMENT OF ANY DEFECTIVE EQUIPMENT COVERED BY THE WARRANTY. IN NO EVENT SHALL LOEGERING, OR ANY AFFILIATE OR PARENT OF LOEGERING BE LIABLE FOR INCIDENTAL, INDIRECT, CONSEQUENTIAL OR OTHER DAMAGES OR LOSSES RESULTING FROM A BREACH OF WARRANTY INCLUDING, WITHOUT LIMITATION, LABOR COSTS, LOSS OF USE OF OTHER EQUIPMENT, THIRD PARTY REPAIRS, IMPROPER PERFORMANCE OR WORK, PENALTIES OF ANY KIND, LOSS OF SERVICE OF PERSONNEL, OR FAILURE OF EQUIPMENT TO COMPLY WITH ANY FEDERAL, STATE OR LOCAL LAW



Loeering
 15514 37th Street SE
 Casselton, ND 58012 USA
 Ph: 800-373-5441
 Fax: 701-347-4323

Warranty Registration Form

Please complete and return to Loeering to validate warranty.

Purchase Date:		Form Completion Date:	
Order #:			
Dealer Name:			
Contact Name:			
Address:			
City:		State:	Zip:
Phone Number:			
Fax Number:		Email Address:	
User Name:			
Contact Name:			
Address:			
City:		State:	Zip:
Phone Number:			
Fax Number:		Email Address:	
Part Number	Description	Serial Number	Model
Was there evidence of damage upon receipt?		Yes	No
If yes, explain:			
Tell us about the equipment you plan to use your new attachment on.			
Manufacturer:		Model:	Tire Size (tracks only):
Serial Number:			
* Hours of use on machine prior to installation of attachment: _____ Hours.			
* Hour information is very important to warranty resolution. Warranty may not be valid without completion of this section.			
Application description:			